



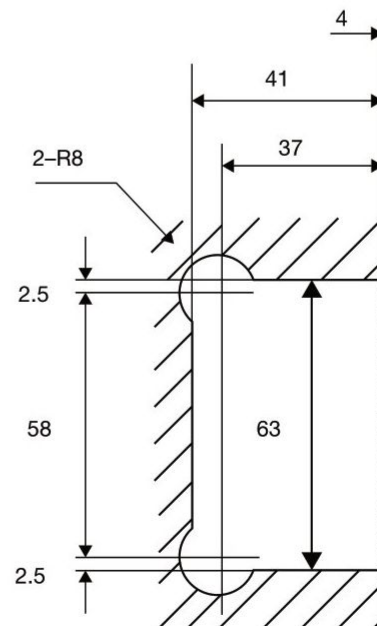
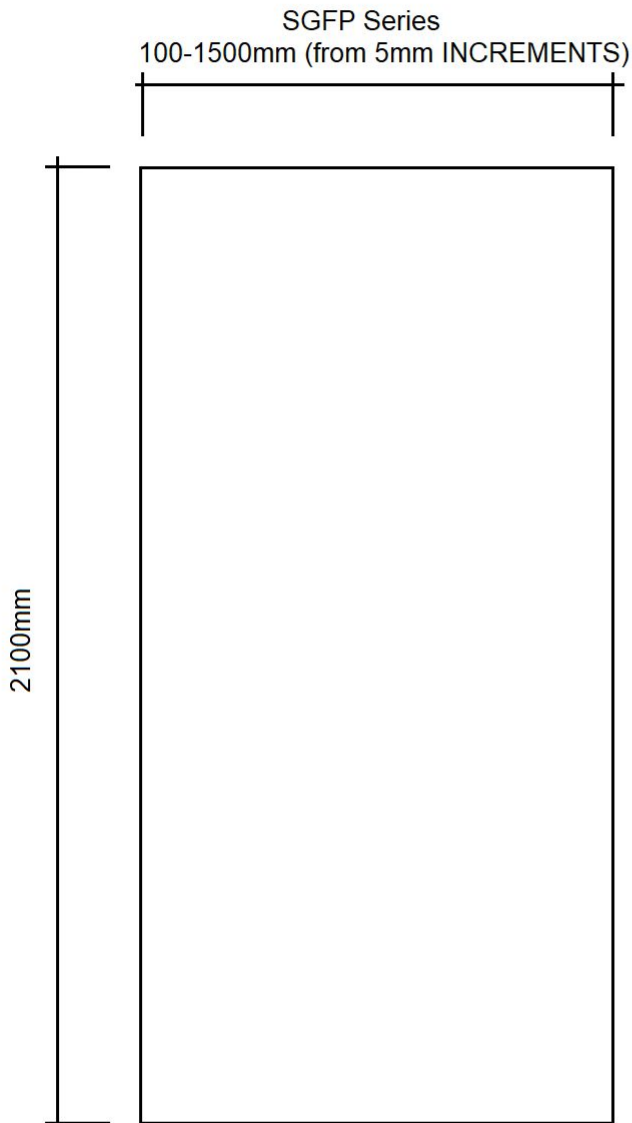
SEVCO.com.au
showerscreens + glass + hardware

Product Code

SGFP/100-1500

Product Description

- > 10 mm Clear Toughened Glass
- > Fixed Panels 2100mm Height
- > Available from 5 mm Increments
- > Comply to AS/NZS 2208:1996
- > R2 radius to all corners



CUT OUT A